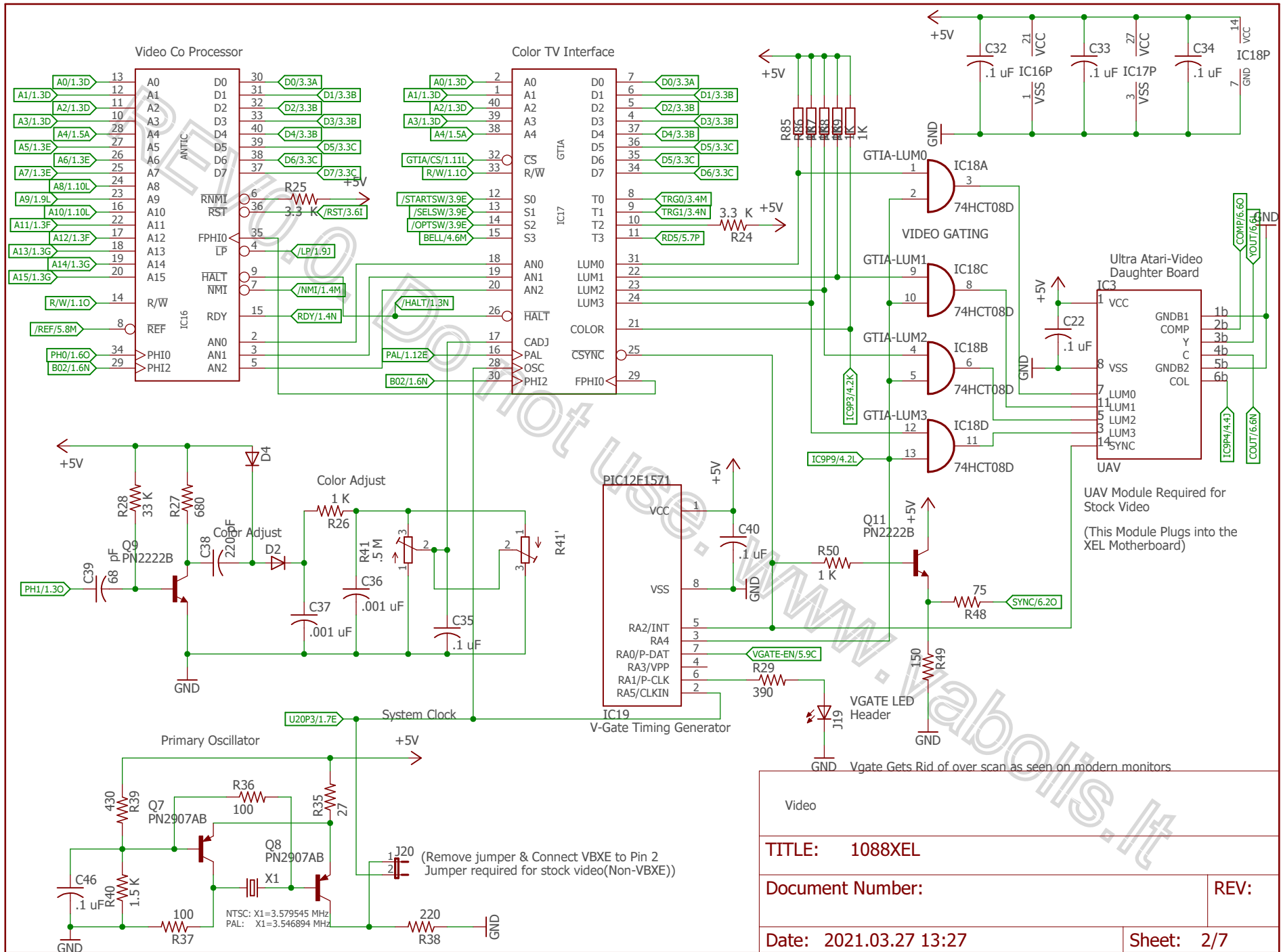
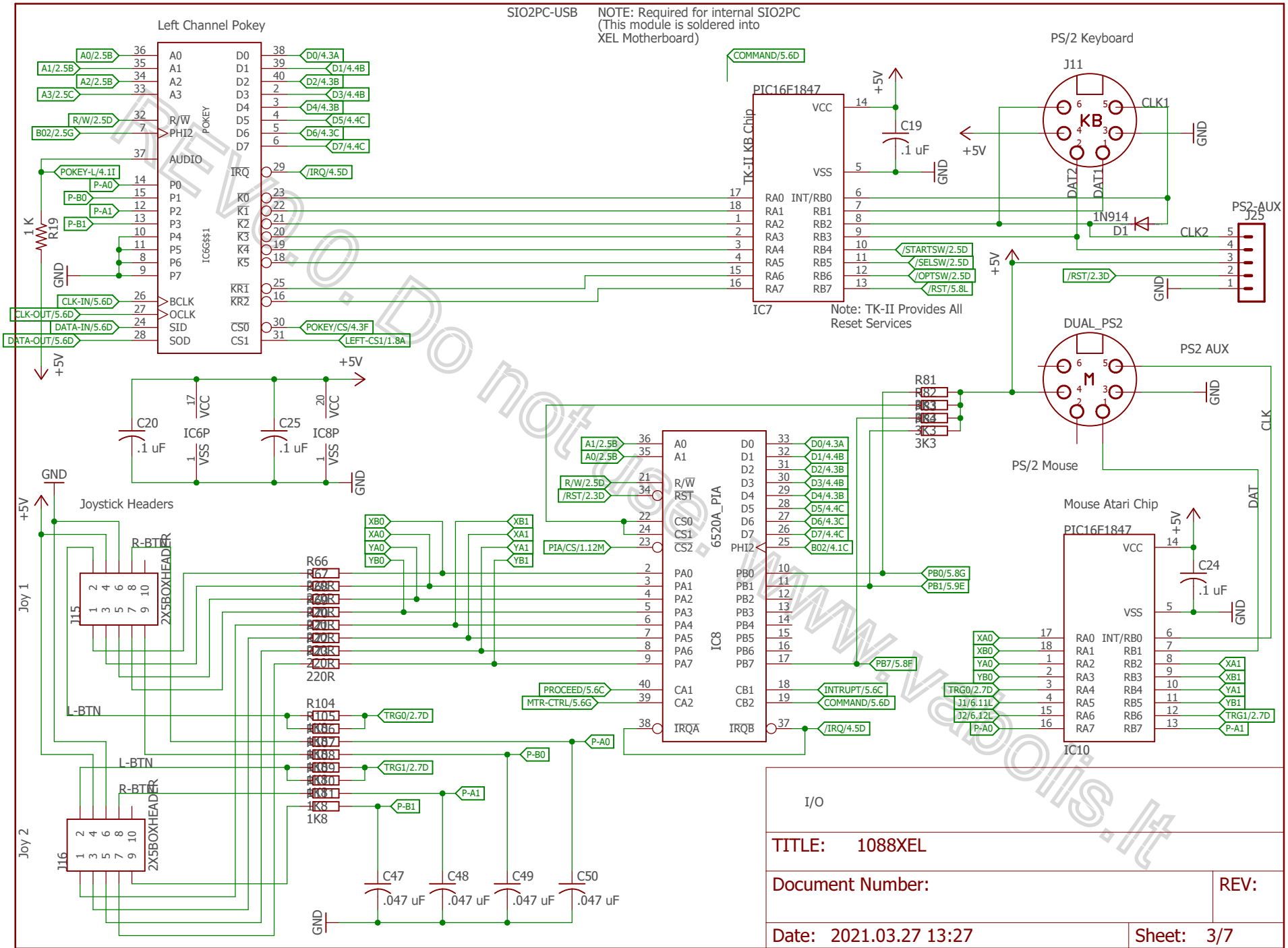


CPU Memory and PAL Clock Circuitry

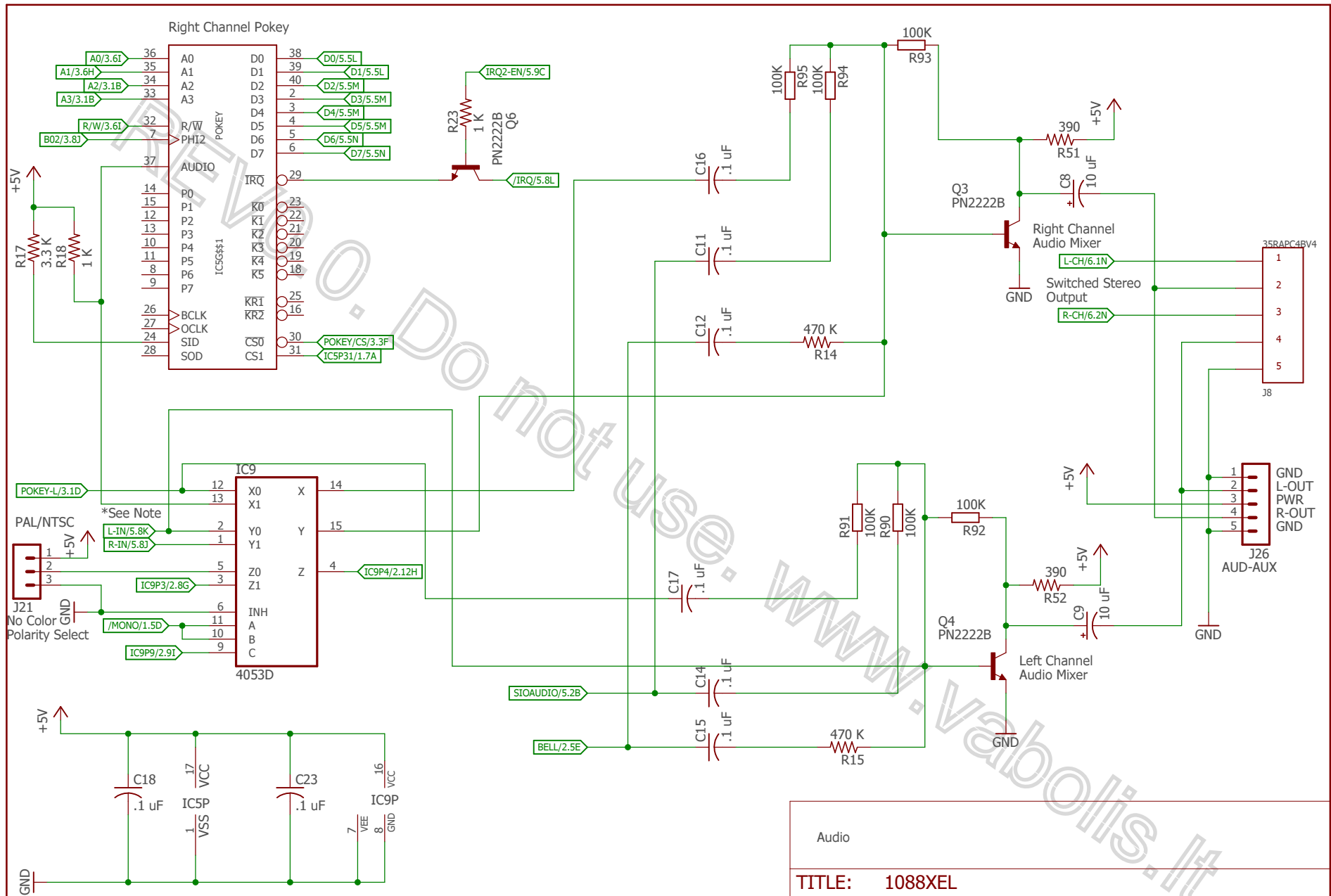
|                        |            |
|------------------------|------------|
| TITLE: 1088XEL         |            |
| Document Number:       | REV:       |
| Date: 2021.03.27 13:27 | Sheet: 1/7 |



|                        |            |
|------------------------|------------|
| Video                  |            |
| TITLE: 1088XEL         |            |
| Document Number:       | REV:       |
| Date: 2021.03.27 13:27 | Sheet: 2/7 |

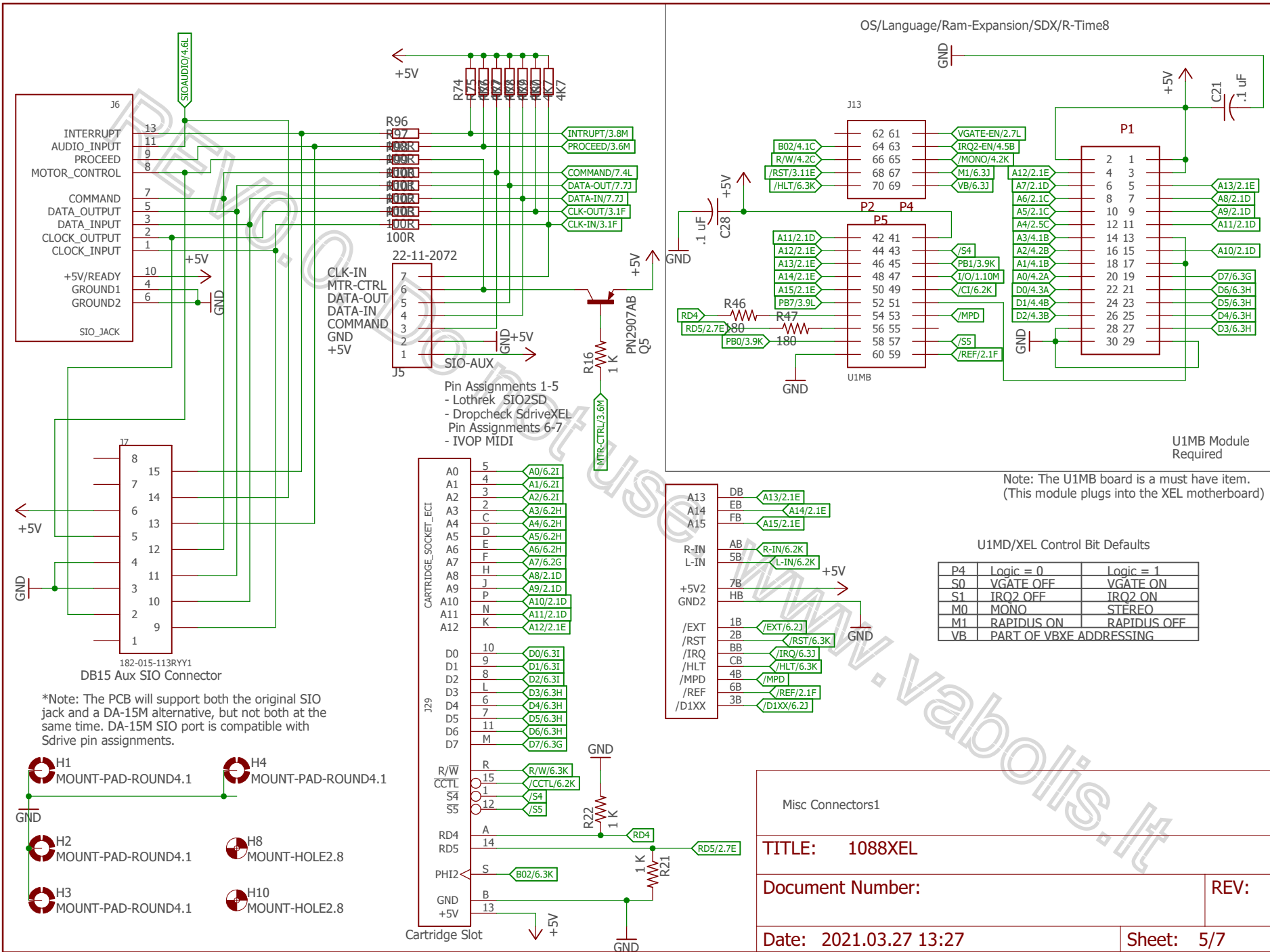


|                        |            |
|------------------------|------------|
| I/O                    |            |
| TITLE: 1088XEL         |            |
| Document Number:       | REV:       |
| Date: 2021.03.27 13:27 | Sheet: 3/7 |



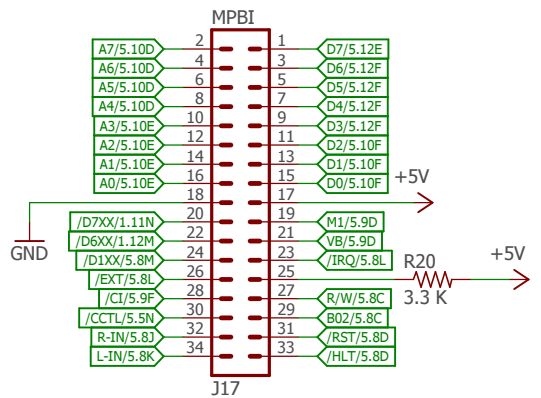
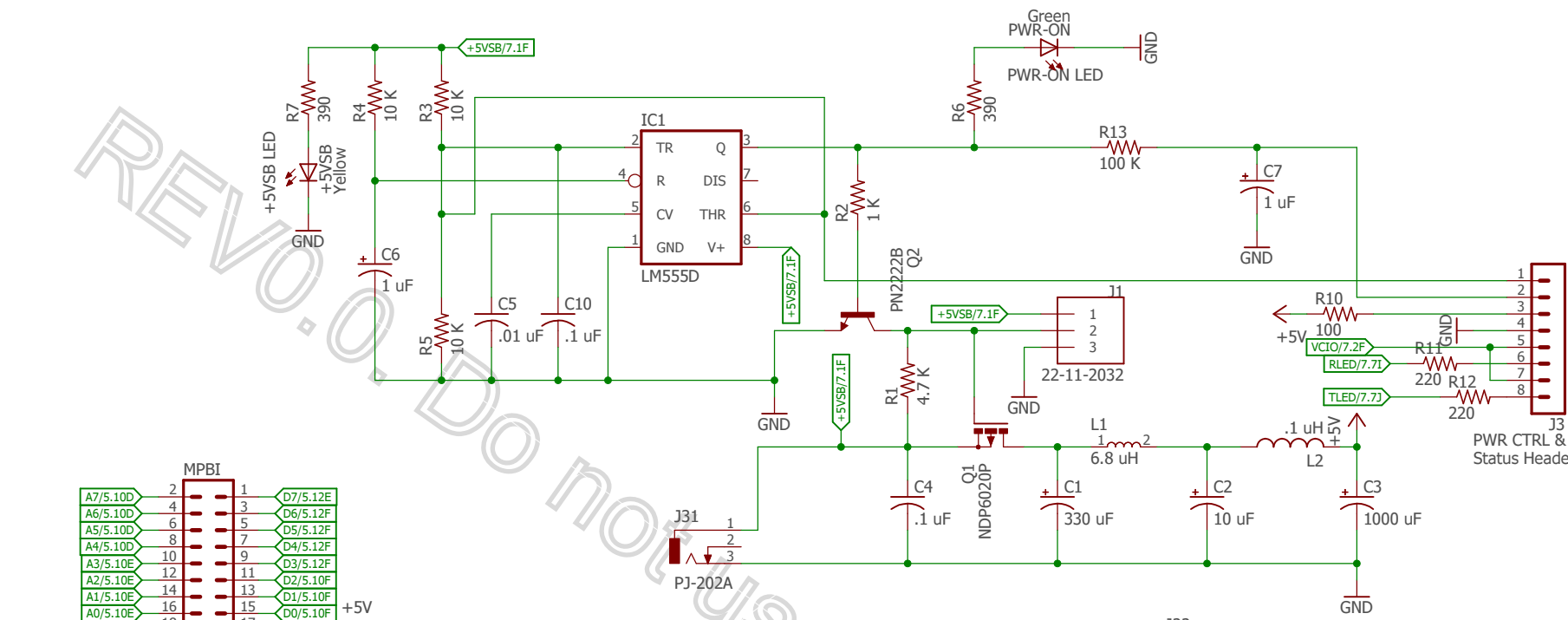
\*Note: R-In and L-In go directly into the summing amplifier, so require an inline resistor and capacitor on the MPBI device if they have audio outputs

|                        |            |
|------------------------|------------|
| Audio                  |            |
| TITLE: 1088XEL         |            |
| Document Number:       | REV:       |
| Date: 2021.03.27 13:27 | Sheet: 4/7 |

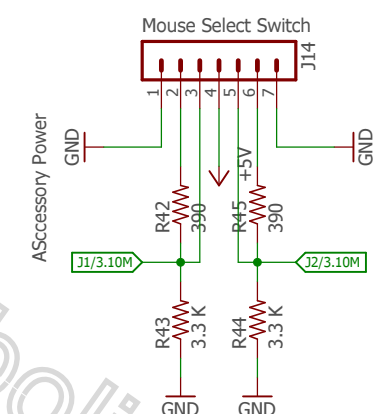
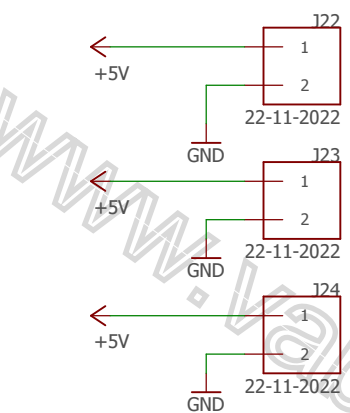
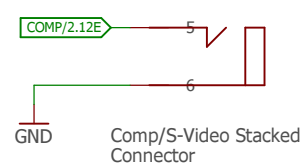
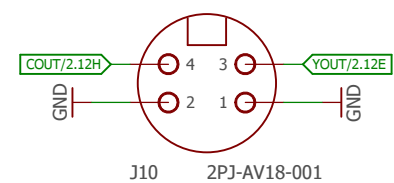
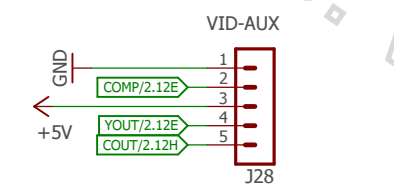
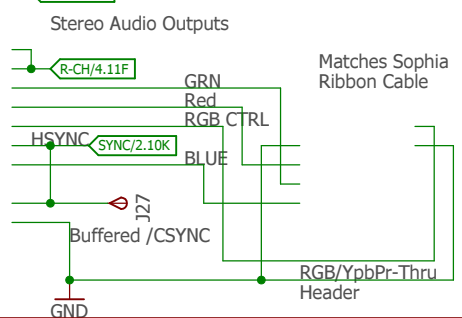


|                         |                  |
|-------------------------|------------------|
| Misc Connectors1        |                  |
| <b>TITLE:</b>           | 1088XEL          |
| <b>Document Number:</b> |                  |
| <b>REV:</b>             |                  |
| <b>Date:</b>            | 2021.03.27 13:27 |
| <b>Sheet:</b>           | 5/7              |

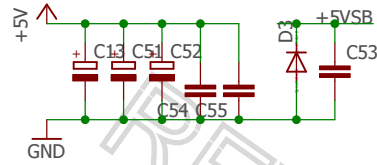
REV. 0.0 Do not use. www.labolis.it



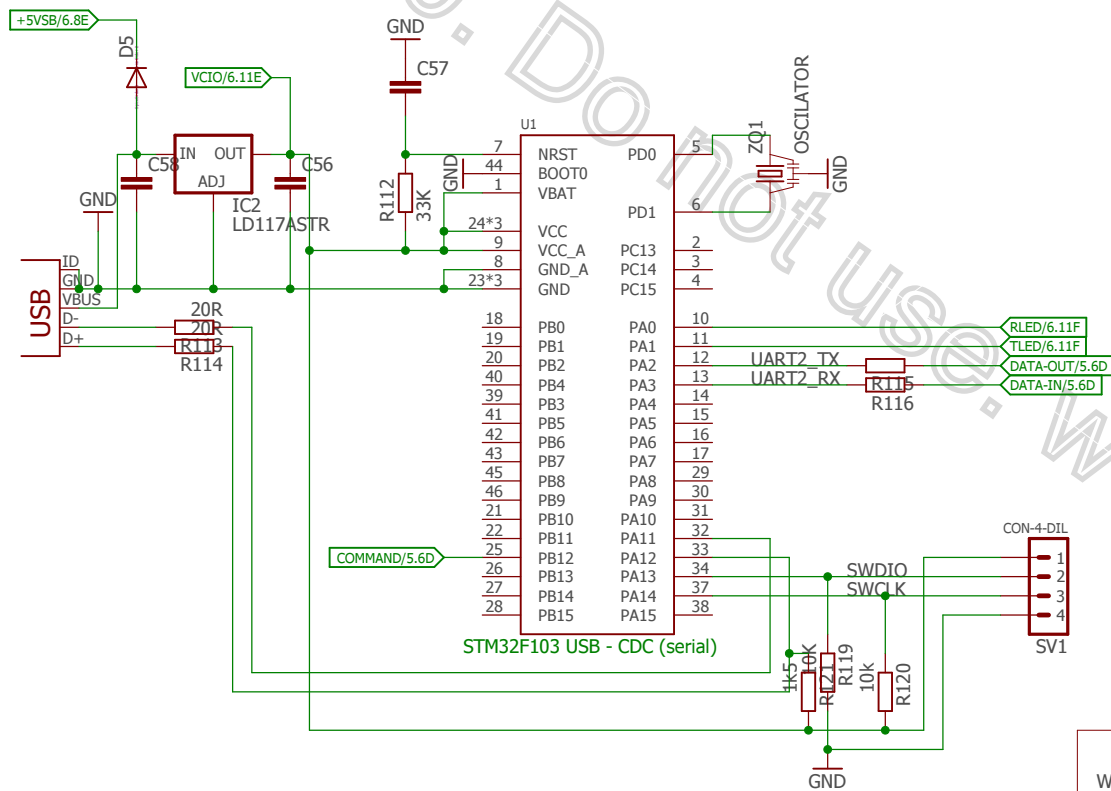
This is merely a SC1224 Compatible video pass-thru which requires an independent video board to drive it, R-Audio is on 2 pins for compatibility reasons.



|                        |            |
|------------------------|------------|
| Misc Connectors 2      |            |
| TITLE: 1088XEL         |            |
| Document Number:       | REV:       |
| Date: 2021.03.27 13:27 | Sheet: 6/7 |



**1088 XEL**  
Mini-ITX ATARI 8



|                        |            |
|------------------------|------------|
| WWW.VABOLIS.LT ADDS    |            |
| TITLE: 1088XEL         |            |
| Document Number:       | REV:       |
| Date: 2021.03.27 13:27 | Sheet: 7/7 |